

## DIVISION 2- SITEWORK

### Section 02870 - Site and Street Furnishings

#### Introduction

Benches, tables, bollards, bicycle racks, if appropriate to the facility, shall be included in the project. Generally these items shall be anchored in concrete so as not to be removed. Specify items which can be readily replaced if damaged.

#### Part 1 - General

- Refer to TAB C16 Use of Sage Green Color on Campus.

#### Part 2 - Products

- Benches - Concrete, steel strap and perforated sheet steel benches are preferred to wood and fiberglass benches.
- Trash and Recycling Receptacles - **MAX-R Innovat-R Verde** model **#92278** Waste and Recycle - Front Load- 2 Streams- 55 Gallons Curved Top - All Plastic. Panel color: Tan. Recycle bin color: blue. Landfill bin color: Caramel. Place trash and recycling containers on a paved surface.

max-R



- Bicycle parking racks - ACI (Arizona Correctional Industries) **Part # MPPR4306P**. Description: Bike Rack: 6' High-Security: Holds 4-8 Bikes (SSA). Refer to DSS Tab C-16 use of sage green on campus.



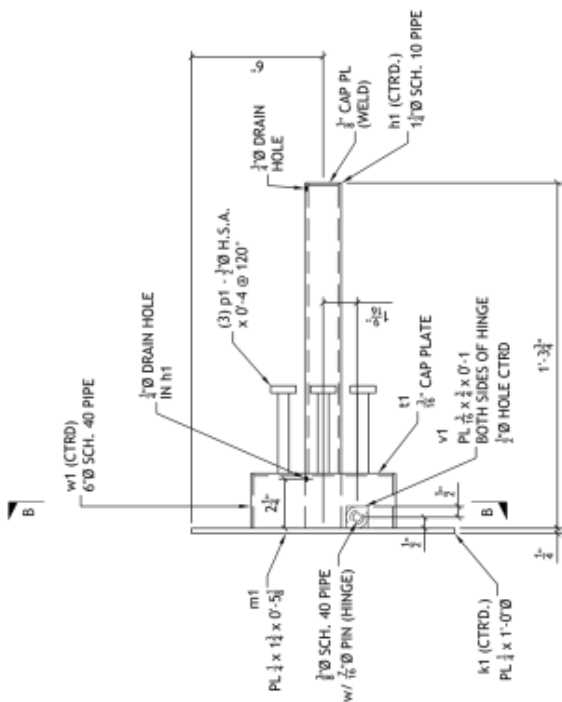
- Kiosks- Bulletin boards must be all weather.
- Tree Grates – Neenah Foundry, Urban Accessories, Canterbury International, Ironsmith. To be installed with frames.

- Electric Water Coolers – refrigerated fountain with integral, no touch, sensor activated bottle filling station and filter. Must be ADA compliant.
- Building Monument Signs provided by FM Sign Shop. Sign does not require electrical, lighting. Coordinate site location with PDC Project Manager.
- Removable Bollards- Where removable bollards are required provide bollards as detailed on Dwg. 02870-D1

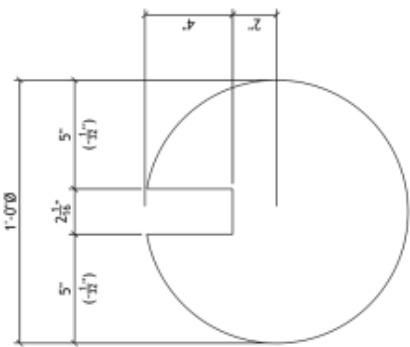
### **Part 3 - Execution**

- There are no unique University requirements in this Section.

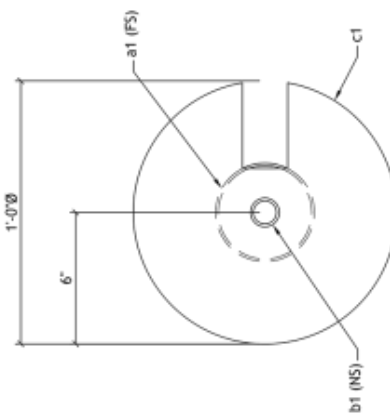
ONE	BOLLARD	1A	
1	4" SCH. 10 PIPE	2-11	a1
1	1" SCH. 40 PIPE	1-0	b1
1	PL 1/2 x 12	1-0	c1
1	4" CAP	--	d1
1	6-0 STRAIGHT CHAIN w/ 7 LINK CHAIN	--	f1
1	4-0 STRAIGHT CHAIN	--	g1
ONE	BOLLARD SLEEVE	1B	
1	1 1/2" SCH. 10 PIPE	1'-3 1/2"	h1
1	PL 1/2 x 12	1'-0"	k1
1	PL 1/2 x 2	0'-5 1/2"	m1
3	3/8" H.S.A.	0'-4"	p1
1	PL 1/8 x 6 1/2	0'-6 1/2"	t1
2	PL 1/8 x 1	0'-1"	v1
1	6" SCH. 40 PIPE	0'-2 1/2"	w1
1	1/2" PIN	0'-2 1/2"	
1	3/8" SCH. 40 PIPE	0'-2 1/2"	



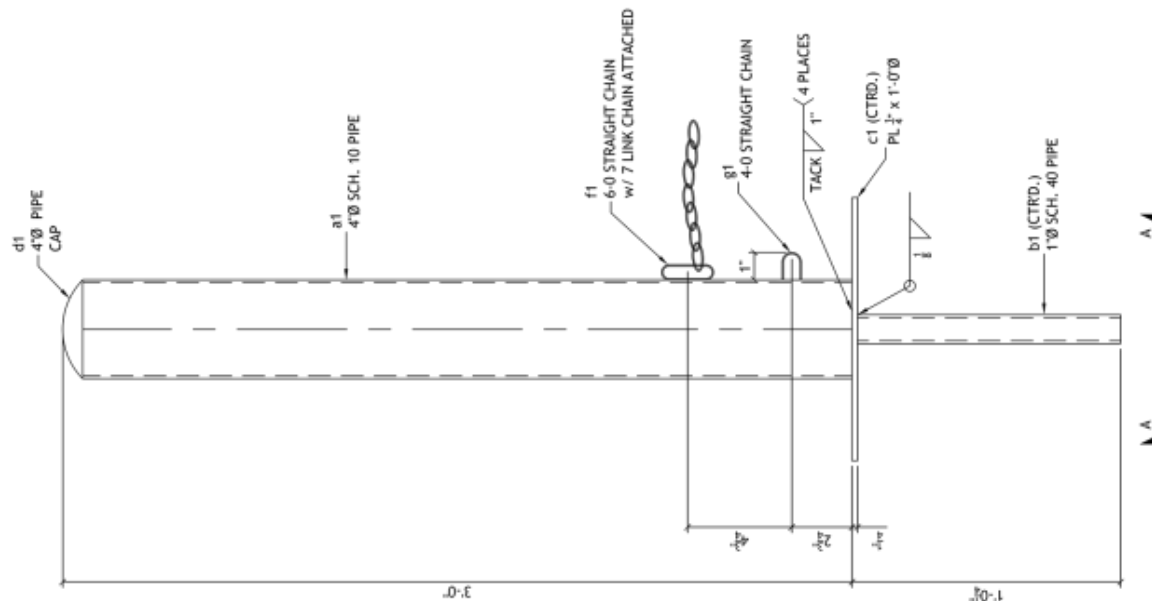
ONE - BOLLARD SLEEVE - 1B



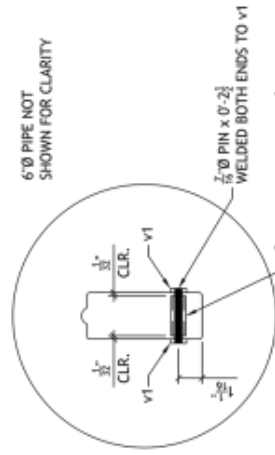
DETAIL OF c1



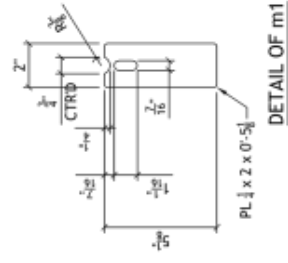
SECTION A-A



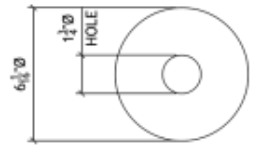
ONE - BOLLARD - 1A



SECTION B-B



DETAIL OF m1



DETAIL OF t1

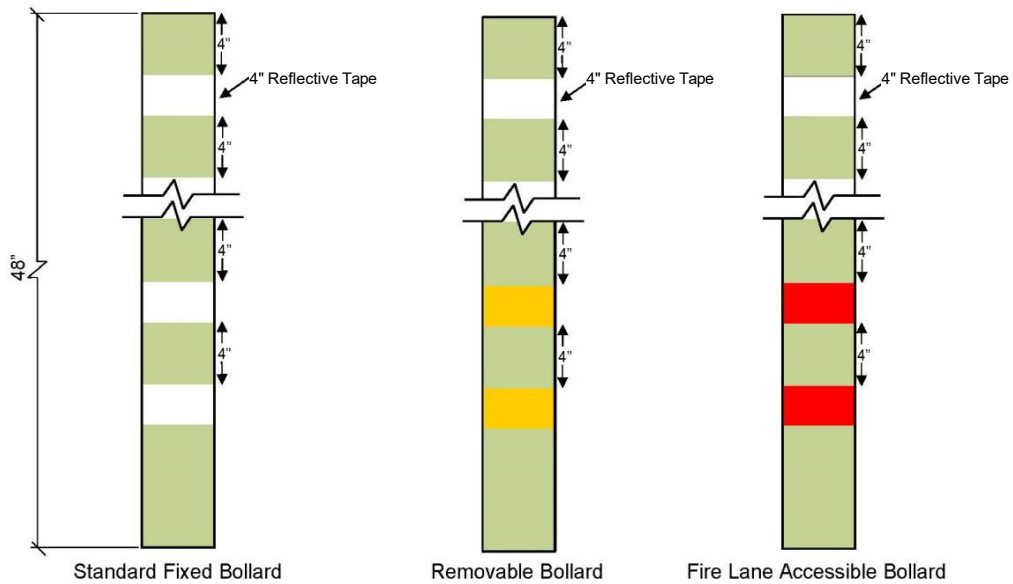
**UNIVERSITY OF ARIZONA**  
**MANUAL OF DESIGN SPECIFICATION STANDARDS**

STANDARD DETAIL: REMOVABLE BOLLARD  
PROJECT

DRAWN BY: AMD	DETAIL NO.	REVISIONS
APPROVED BY: BD	02870-D1	12-11-15 REV0
ACAD: FILE		--- REV1
		--- REV2
		--- REV3
		--- REV4



### Campus Standards for Bollard Appearance



Confirm Bollard style and height with PDC PM (to coordinate with existing site conditions).

Color: Reference DSS TAB C-16 Use of Sage Green Color on Campus. Finish paint: Dunn Edwards Aristoshield (semi gloss)

Reflective tape banding: 4 inch standard size. Leave 4" gap from top of bollard (or cap) to first band of reflective tape.

End of Section 02870